



# Technical Information

## 6 port solenoid diverter valve

The Vapormatic Co. Ltd, PO Box 58, Kestrel Way,  
 Sowton Industrial Estate, Exeter, EX2 7NB  
 Tel: +44 (0)1392 684000  
 Facsimile : +44 (0)1392 438445  
 Email : [enquiries@vapormatic.com](mailto:enquiries@vapormatic.com)  
 Web : [www.vapormatic.com](http://www.vapormatic.com)

Bulletin	UK	Export	Vap	Issued
PBA0620 (TB1006)	Yes	Yes	Yes	1 <sup>st</sup> December 2006

The following technical data can be used when fitting Vapormatic 6 port solenoid diverter valves. The valves have direct operation by solenoid, plug-in connector for solenoids to ISO 4400 and threaded connection to ISO 9974, ISO 1179. They are designed to control the direction of the hydraulic medium flow and they are mostly used as a link between two consumers and the basic directional valve, when it is necessary to control both consumers alternately by means of one basic directional valve.



VFD2500

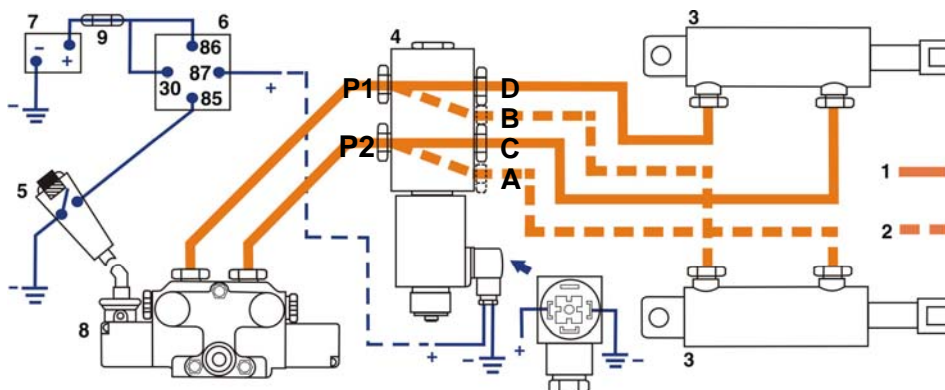


VFD2501

Hydraulic		VFD2500	VFD2501
Size		3/8"	1/2"
Dash		6	10
Flow Rate	l/min	50	80
Operating Pressure	bar	210	315
Oil temperature range	°C	20 to +70	20 to +70

Electrical		VFD2500	VFD2501
Supply Voltage	V	12	12
Power	W	29	36
Switching Frequency	1/h	15000	15000
Ambient temperature	°C	to +50	to +50
Coil temperature	°C	to +180	to+180

1. Flow in normal position.
2. Flow in energized position.
3. Double acting hydraulic cylinder.
4. 6 port solenoid diverter valve.
5. Switch & handle assembly. (VFH1120)
6. Relay. (supplied with VFH1120)
7. 12 v 6 amp supply.
8. Existing double acting spool valve.
9. Fuse.



Original equipment manufacturers names and part number are quoted for reference purposes only and are not intended to infer that our replacement parts are used as original equipment.